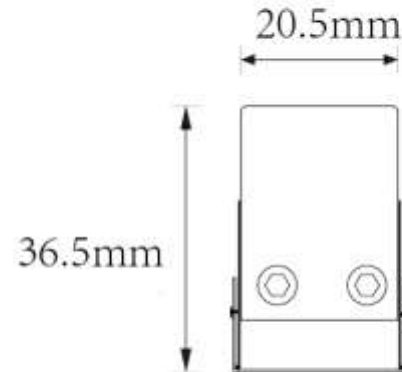


LUMINAIRE SPECIFICATION

Luminaire Ref:	LED Rigid linear light	Prod Code:	HD-L03060
----------------	------------------------	------------	-----------



Source Data		Light Fittings Data	
Source Type :	LED	Housing:	Aluminum
Lamp Load :	12w/m	Cover:	PC
LED Chip:	OSRAM	IP Rating:	IP66
Chip Qty	60pcs/M	Size:	L1000mm*W20.5*H36.5mm
Input Voltage:	DC24V	Ambient temperature :	-25°C~ +60°C
Beam Angle:	180°	Lamp Life:	50,000 Hrs
Color:	Single color	PCB:	Excellent heat conductivity aluminum coefficient of heat conductivity ≥ 2.0w/mk
Colorrendering i(Ra):	>82	Warranty:	3 Years
Lumen:	90lm/W		
Signal In:	None		